

Online Dealer Resources: Get Quotes Instantly & Get Immediate Order Confirmations!

Please mark clearly with an X the items you wish to purchase.

Fax form to Special Tomato at (866) 901- 8707 or call in your order to our Pediatric Helpline at (866) 529-8407.

Account #: _____

Ship to: _____

Date: _____

Name: _____

PO #: _____

Address: _____

Buyer: _____

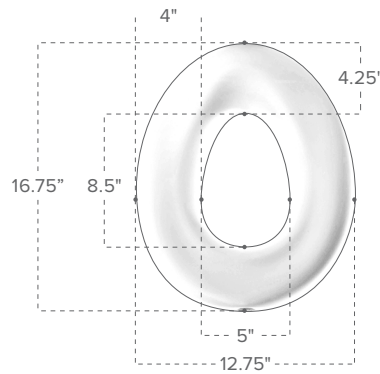
City: _____

Attention: _____

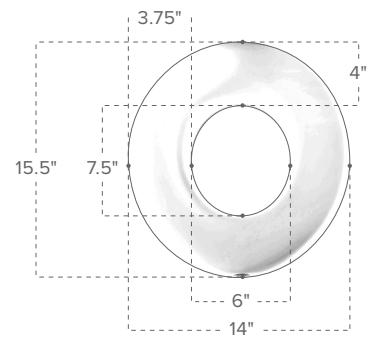
Phone: () _____

Soft, Contoured Portable Potty Seat

The Portable Potty Seat comes complete with a draw cord backpack for easy portability. The backpack has a plastic lining for hygienic purposes. There is also an outside pocket that can hold wipes or any other necessities. The Potty Seat fits into the draw cord backpack for a complete “on-the-go” solution.



Elongated



Round



Item	Cherry	Lilac	Lime	Aqua	Dark Gray	Light Gray	MSRP
Round Seat Cushion	74010001	74010002	74010003	74010004	74010009	74010010	\$297.66
Elongated Seat Cushion	74020001	74020002	74020003	74020004	74020009	74020010	\$396.88



Draw Cord backpack included.
Fits on most Push Chairs.

Prices Valid:
01/01/2022 - 12/31/2022

