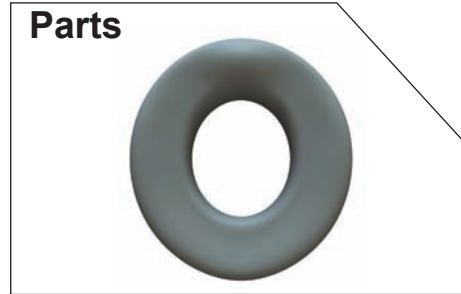


Manual/ Specifications

Portable Potty Seat



Round or Elongated



Parts

Soft-Touch™ potty seat

Instructions:

Place the portable potty seat over your existing toilet seat with pommel facing toward front.



Intended Use

The Special Tomato Portable Potty Seat is a padded toilet seat reducer ring that works in multiple settings. The Special Tomato Portable Potty Seat is made from the Special Tomato Soft-Touch material, a perfect toileting option that is impermeable to fluids and peel and tear resistant. The Soft-Touch material conforms to the body and lessens pressure on bony prominences during extended periods of sitting. The Portable Potty Seat comes in two versions: Standard (for round toilets) & Elongated (for elongated toilets). The Portable Potty Seat includes its own Canvas Travel Tote with zippered closure. The Tote has a large outside pocket to carry wipes and two smaller mesh sleeve pockets for other necessities. The inside of the tote is rubber coated and is easily wiped clean to sanitize. The Tote is machine washable.

⚠ WARNING: Prevent serious injury or death from falls or sliding out

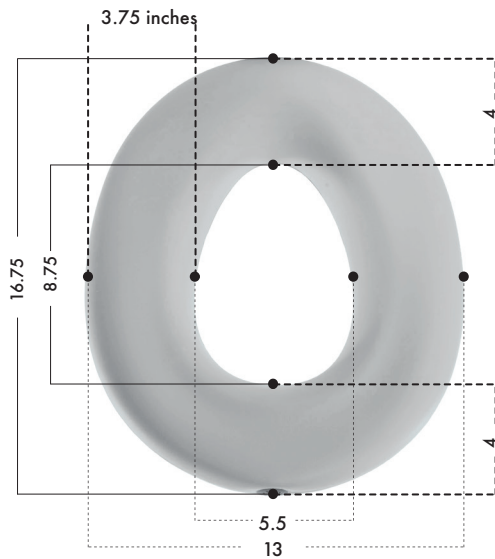
- Do not submerge
- Never leave child unattended
- Always keep child in view



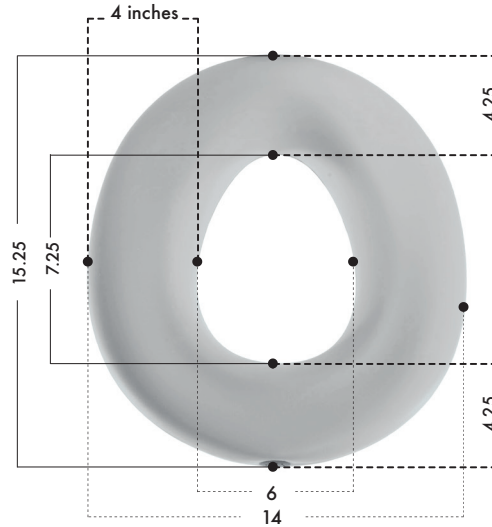
BERGERON HEALTH CARE

Model# Series 74XXXXXX
Revision 06/22
UMPPS06-22LIT

Specifications



Elongated



Round

Limited Warranty

Bergeron by Design warrants to the original retail purchaser of the Special Tomato® product, that if any part or component proves defective in material or workmanship within five years of the purchase date, the defective part will be repaired or replaced (at Bergeron by Design's discretion) free of charge. Warranty service may be performed by an authorized service center or (at Bergeron by Design's discretion) the factory.

This warranty does not cover normal wear and tear, or damage caused by accident or misuse.

To exercise this limited warranty, the user should first obtain a Return Authorization Number from the dealer the Special Tomato® product was purchased from. The product must be delivered charges pre-paid (UPS recommended) to the factory or to an authorized service center, together with a copy of the original invoice, the Return Authorization Number and a written description of the problem.

Product Care

Special Tomato® Products are impermeable to fluids. Wipe with a mild detergent to clean periodically.

Do not submerge to prevent water from penetrating the air vent.

Customer Service

Contact your dealer directly. Or...

US & International: 1-315-429-8407

Fax: 1-315-429-8862

Web: www.specialtomato.com

Notice: No part of this document may be photocopied, reproduced, transmitted, transcribed, stored in a retrieval system or translated to another language or computer language, in any form or by any means, electronic, mechanical, magnetic, optical, chemical, manual, or otherwise without the prior written consent of Bergeron by Design.

Use only Special Tomato® accessories and parts on Special Tomato® products. Special Tomato® parts are not interchangeable with other manufacturers' products. Replace any worn parts immediately for safety. © 2022 Bergeron By Design.



Global Carehab
HOLMSTRUPGAARDVEJ 11
8220 BRABRAND
DENMARK
+45 24 65 55 50



BERGERON HEALTH CARE