



BERGERON HEALTH CARE

Portable Potty Seat

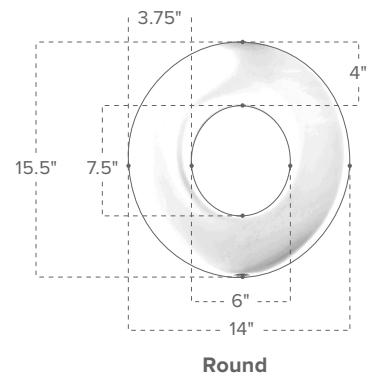
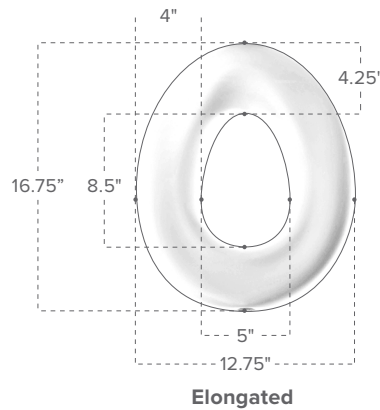
Please mark clearly with an X the items you wish to purchase.

- **Fax** form to Special Tomato at (866) 901- 8707
- **Call** in your order to our Pediatric Helpline at (866) 529-8407
- **Email** Order Form to: orders@specialtomato.com

Account #: _____ Ship to: _____
 Date: _____ Name: _____
 PO #: _____ Address: _____
 Buyer: _____ City: _____
 Attention: _____ Phone: () _____

Soft, Contoured Portable Potty Seat

The Portable Potty Seat comes complete with a draw cord backpack for easy portability. The backpack has a plastic lining for hygienic purposes. There is also an outside pocket that can hold wipes or any other necessities. The Potty Seat fits into the draw cord backpack for a complete “on-the-go” solution.



| Item | Cherry | Lilac | Aqua | Dark Gray | MSRP |
|------------------------|----------|----------|----------|-----------|-----------|
| Round Seat Cushion | 74010001 | 74010002 | 74010004 | 74010009 | \$ 354.91 |
| Elongated Seat Cushion | 74020001 | 74020002 | 74020004 | 74020009 | \$ 473.22 |

Pricing valid 1/19 /2026–12/31/2026

