

Portable Potty Seat

Online Dealer Resources: Get Quotes Instantly & Get Immediate Order Confirmations!

Please mark clearly with an **X** the items you wish to purchase.

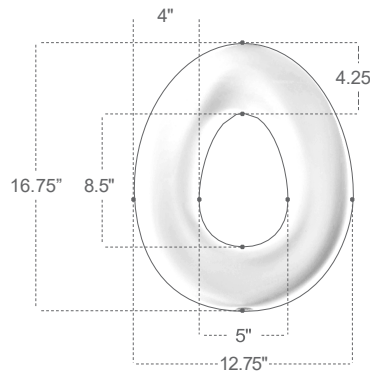
Fax to Special Tomato at (866) 901- 8707 or call in your order to our Pediatric Helpline at (866) 529-8407.

Account #: _____
 Date: _____
 PO #: _____
 Buyer: _____
 Attention: _____

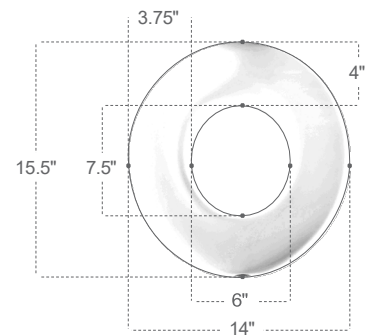
Ship to: _____
 Name: _____
 Address: _____
 City: _____
 Phone: () _____

Soft, Contoured Portable Potty Seat

The Portable Potty Seat comes complete with a draw cord backpack for easy portability. The backpack has a plastic lining for hygienic purposes. There is also an outside pocket that can hold wipes or any other necessities. The Potty Seat fits into the draw cord backpack for a complete "on-the-go" solution.



Elongated



Round



Item	Cherry	Lilac	Aqua	Dark Gray	MSRP
Round Seat Cushion	74010001	74010002	74010004	74010009	\$ 344.58
Elongated Seat Cushion	74020001	74020002	74020004	74020009	\$ 459.43

Pricing valid 2/1/2025 - 12/31/2025

